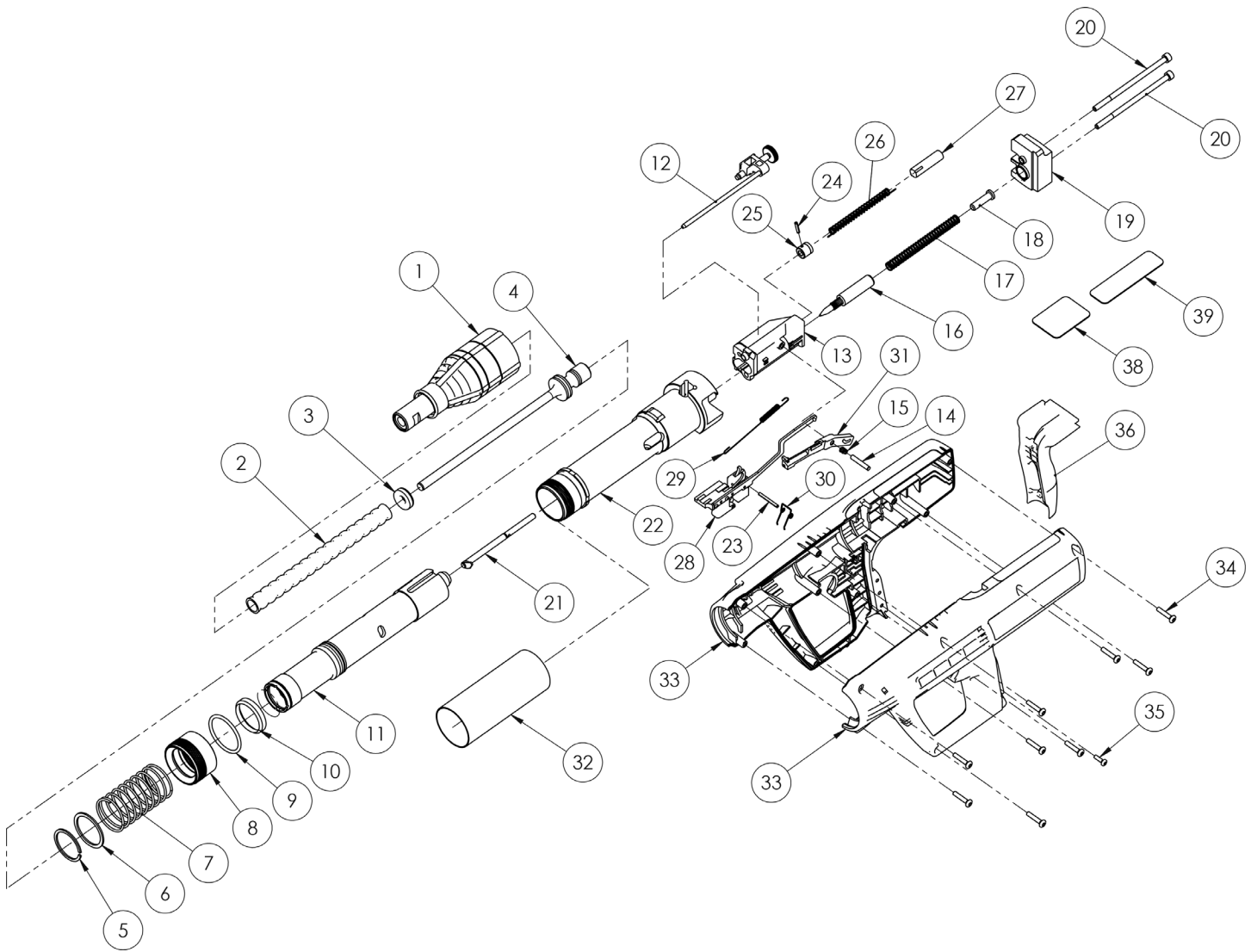


RA54 PARTS SCHEMATIC / PARTS LIST



RA54 PARTS LIST

| KEY | P/N | DESCRIPTION | QTY |
|-----|--------|----------------------------------|-----|
| 1 | M38033 | FASTENER GUIDE ASSEMBLY | 1 |
| 2 | 011483 | PISTON RETURN SPRING | 1 |
| 3 | 011002 | PISTON ISOLATION RING | 1 |
| 4 | 37077 | PISTON 8mm | 1 |
| 5 | 011000 | BARREL CIRCLIP | 1 |
| 6 | 011004 | BARREL WASHER | 1 |
| 7 | 37006 | BARREL FRONT END SPRING | 1 |
| 8 | M38028 | BARREL RETENTION COLLAR | 1 |
| 9 | 011001 | BARREL RETENTION O-RING | 1 |
| 10 | 011003 | BARREL BUFFER | 1 |
| 11 | 38004 | 75mm BARREL | 1 |
| 12 | M37021 | POWER ADJUSTMENT ASSEMBLY | 1 |
| 13 | 28111 | MECHANISM HOUSING | 1 |
| 14 | 37027 | MECH HOUSING PIN | 1 |
| 15 | 37013 | CHARGE ADVANCE LEVER SIDE SPRING | 1 |
| 16 | 28157 | FIRING PIN ASSEMBLY | 1 |
| 17 | 28150 | FIRING SPRING | 1 |
| 18 | M37030 | SPRING GUIDE | 1 |
| 19 | 37004 | END CAP | 1 |
| 20 | 37033 | CAP SCREWS - M5x100 | 2 |

RA54 PARTS LIST (continued)

| KEY | P/N | DESCRIPTION | QTY |
|-----|---------------|-------------------------------------|-----|
| 21 | 37015 | COCKING ROD | 1 |
| 22 | 37010 | RECEIVER WELDMENT | 1 |
| 23 | M27516 | TRIGGER MECHANISM PIN | 1 |
| 24 | 27870 | ROTARY SEAR PIN | 1 |
| 25 | M28197 | ROTARY SEAR | 1 |
| 26 | M28161 | COCKING ROD SPRING | 1 |
| 27 | M28132 | TORQUE CAP | 1 |
| 28 | 37017 | BLACK TRIGGER ASSEMBLY | 1 |
| 29 | 37014 | CHARGE ADVANCE TENSION SPRING | 1 |
| 30 | M27515 | TRIGGER SEAR SPRING | 1 |
| 31 | 37016 | CHARGE ADVANCE LEVER ASSEMBLY | 1 |
| 32 | 38024 | EXHAUST TUBE | 1 |
| 33 | 37001 & 37002 | OUTER HOUSING (LHS & RHS) | 1 |
| 34 | 37009 | M4 x 20 PAN HEAD SELF TAPPING SCREW | 9 |
| 35 | M37032 | M3.5 x 12mm T15 PAN HEAD | 1 |
| 36 | M37003 | GRIP | 1 |
| 37 | 540962 | DECAL KIT - RIGHT, LEFT | 1 |
| 38 | 751963 | WARNING LABEL | 1 |
| 39 | 540964 | SPRING LABEL | 1 |